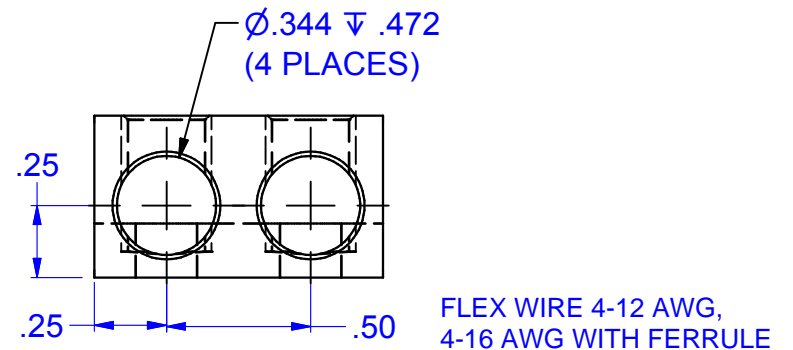
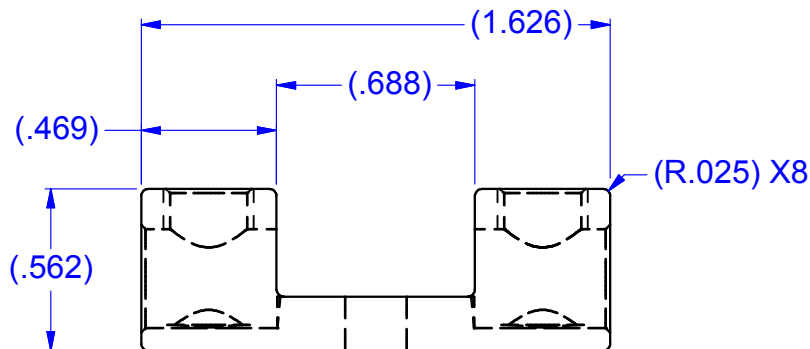


MARKING
 S2
 IHI
 2-14
 CU9AL
 UL (LOGO)
 CSA (LOGO)



NOT FOR USE WHERE FAILURE CREATES A HAZARD TO HUMAN HEALTH OR SAFETY. ALL PRODUCTS ARE SUBJECT TO THIS FULL DISCLAIMER: <http://www.ihconnectors.com/disclaimer.html>

FOR FURTHER INFORMATION ON THE PROPER USE OF THIS PRODUCT IN SPECIFIC APPLICATIONS SEE <http://www.ihconnectors.com/GuideToFlexFlexibleFineStrandedWireCableMechanicalLugsFAQ.html> <http://www.ihconnectors.com/Technical-Data-Installation.htm>



Expanded wire range with use of ferrules.
 TORK KRIMP®, self crimping of standard UL Listed ferrules protected by PATENT No.10630005.
 PATENT: www.ihconnectors.com/patent.html
 For full instructions: <https://lugsdirect.com/PDF Documents/IHI Agency Labels/S2-AGENCY-LABEL.pdf>

THIS DRAWING AND DESIGN ARE THE PROPERTY OF INTERNATIONAL HYDRAULICS, INC., CLEVELAND, OHIO, AND MAY NOT BE DUPLICATED, USED FOR THE BASIS OF DESIGN OR MANUFACTURE WITHOUT THE WRITTEN PERMISSION OF INTERNATIONAL HYDRAULICS, INC., CLEVELAND, OHIO.		INTERNATIONAL HYDRAULICS, INC.			
GENERAL TOLERANCES ±.015 (±0.038)		TITLE: S2-NB-2-HEX CONNECTOR			
MATERIAL: 6061-T6	SIZE: 1.5	DRAWN BY: TDS	DWG NO.: S2-NB-2-HEX (SALES)	REV:	
FINISH: TIN PLATE EMS	DATE: 6/2/11	IHI CONNECTORS			